



We Make Automation Easy

SERIES 22



**DIRECT MOUNT
HIGH PERFORMANCE
TWO - PIECE BALL VALVES**

**DIRECT MOUNTING OF
ACTUATOR TO VALVES**

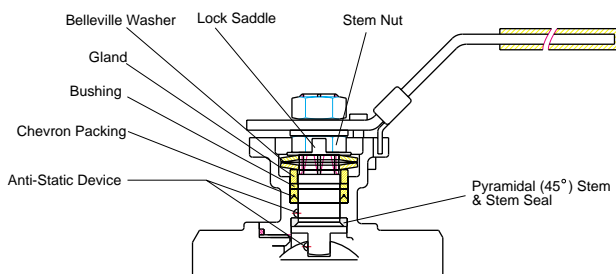
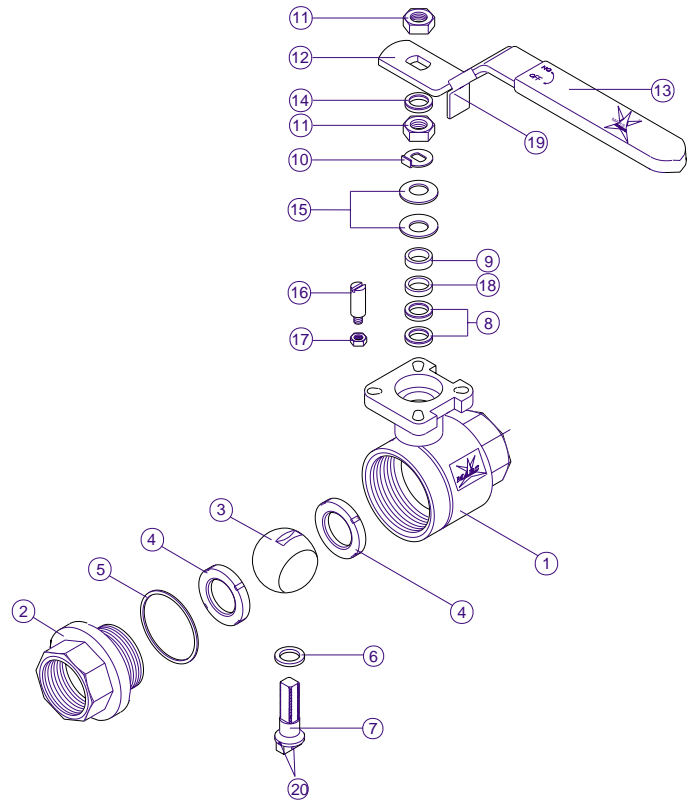


DESIGN ADVANTAGES

- FOR GENERAL INDUSTRIAL AND CHEMICAL APPLICATIONS, PROVIDES SAFE, ECONOMICAL PERFORMANCE.
- PATENTED ISO 5211 DIRECT MOUNT PAD Allows direct mounting of pneumatic and electric actuators, no brackets and couplings needed. easy and low cost for automated service.
- EXTRA HIGH CYCLE LIFE Mars maintenance free live loaded double sealing high cycle stem packing system provides extra longer service life.
- BLOW OUT PROOF STEM
- ANTI-STATIC DEVICE AS STANDARD
- LOCKING DEVICE AS STANDARD
- INVESTMENT CAST BODY CONSTRUCTION

SPECIFICATIONS

Construction : Two-piece body, Full Bore
 Sizes : 1/2" to 3" (DN15 TO DN80)
 Ends : Threaded End
 Body : CF8M, WCB / DIN 1.4408, 1.0619
 Seat : PTFE
 Pressure Rating : 1000 PSI



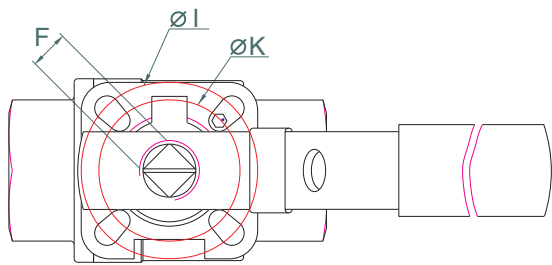
Germany Patent No. 299 02 532.2
 United States Patent No. 5,954,088
 China Patent No. ZL 98 2 09161.3

MAINTENANCE FREE LIVE LOADED DOUBLE SEALING HIGH CYCLE STEM SYSTEM

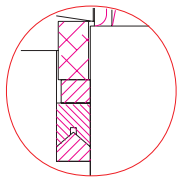
Our high cycle stem design is accomplished by double sealing system. The 45° Pyramidal Segment Ring in conjunction with a seal that fits on top of the Pyramidal segment provides the primary seal. Most of the media in the pipeline is contained by this seal. As a precautionary measure the V-Ring Chevron packing provides the secondary sealing. On top of the stem is a set of Belleville Washers that automatically adjusts compression of the seal to compensate for wear, pressure, or temperature fluctuations.

MATERIALS LIST

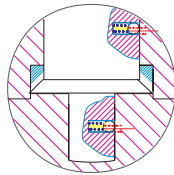
NO.	PART NAME	MATERIAL		Q'TY
1	Body	CF8M	WCB	1
2	End Cap	CF8M	WCB	1
3	Ball	SUS316		1
4	Seat	PTFE/RTFE		2
5	Joint Gasket	PTFE		2
6	Stem Seal	PTFE/RTFE		1
7	Stem	SUS 316		1
8	Gland Packing	MG1241		2
9	Gland Bush	SUS 304		1
10	Stop Washer	SUS 304		1
11	Stem Nut	SUS 304		2
12	Handle	SUS 304		1
13	Handle Sleeve	Vinyl		1
14	Stem Washer	SUS 304		1
15	Belleville Washer	SUS 301		2
16	Stop Pin	SUS 304		1
17	Pin Nut	SUS 304		1
18	Bushing	25% RTFE		1
19	Locking Device	SUS 304		1
20	Anti-static Device	SUS 304		2



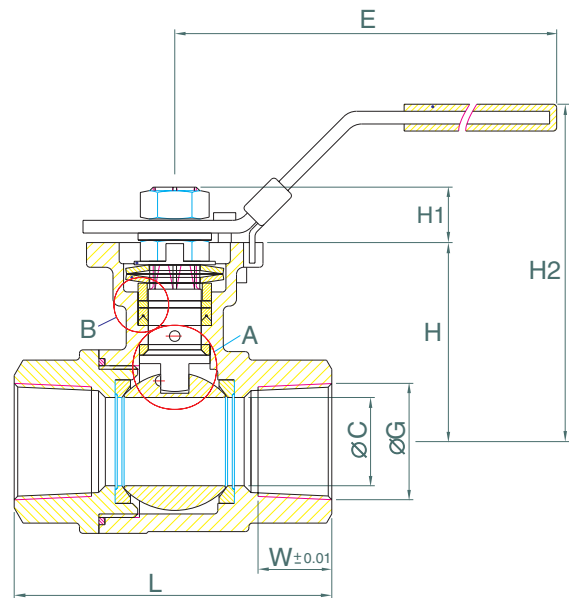
TOP VIEW



B VIEW



A VIEW



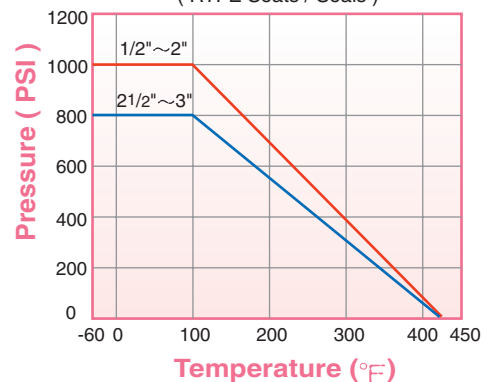
■ DIMENSIONS (mm)

SIZE	ØC	E	F	ØG	H	H1	H2	ØI	ØK	L	W	kg/w	ISO5211
1/2"	15.0	132	9	1/2" NPT or BSP	38.6	7.1	72.6	42	36	65.0	16	0.46	F03/F04
3/4"	20.0	132	9	3/4" NPT or BSP	46.2	8.0	81.4	42	36	74.5	17	0.60	F03/F04
1"	25.0	167	11	1" NPT or BSP	56.6	11.4	95.1	50	42	88.0	21	1.09	F04/F05
1 1/4"	32.0	167	11	1 1/4" NPT or BSP	61.0	11.4	99.5	50	42	102.0	22	1.5	F04/F05
1 1/2"	38.0	187	14	1 1/2" NPT or BSP	76.3	15.2	110.8	70	50	110.0	22.5	2.55	F05/F07
2"	49.0	187	14	2" NPT or BSP	84.1	15.1	118.6	70	50	125.0	24	3.60	F05/F07
2 1/2"	65.0	262	17	2 1/2" NPT or BSP	108.7	16.8	166.2	102	70	160.6	31	7.43	F07/F10
3"	80.0	262	17	3" NPT or BSP	117.4	18.1	174.9	102	70	178.0	34	10.35	F07/F10

■ BREAK AWAY TORQUE

Size	Nm	In-Lb.	Cv
1/2"	3	27	10
3/4"	5	45	30
1"	10	90	40
1 1/4"	14	125	60
1 1/2"	18	160	90
2"	22	195	140
2 1/2"	30	270	310
3"	50	450	480

Pressure / Temperature Chart
(RTFE Seats / Seals)



■ HOW TO ORDER

22 08 S P

VALVE TYPE	SIZE	BODY MATERIAL	SEAT
SERIES 22	03 1/2" - DN15	S CF8M	P PTFE
	04 3/4" - DN20	W WCB	R R-PTFE
	05 1" - DN25		S 50/50 S.S. filled PTFE
	06 1 1/4" - DN32		C Carbon filled PTFE
	07 1 1/2" - DN40		M MG1241
	08 2" - DN50		
	09 2 1/2" - DN65		
	10 3" - DN80		



MARS VALVE CO.,LTD.
7F-6, NO.200, SEC.4, WEN-SHIN ROAD
TAICHUNG, TAIWAN, R.O.C.
TEL:++886-4-297 3808
FAX:++886-4-297 3608
E-MAIL:mars@marsvalve.com.tw
<http://www.marsvalve.com.tw/>

Distributor: